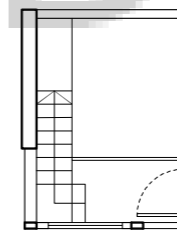
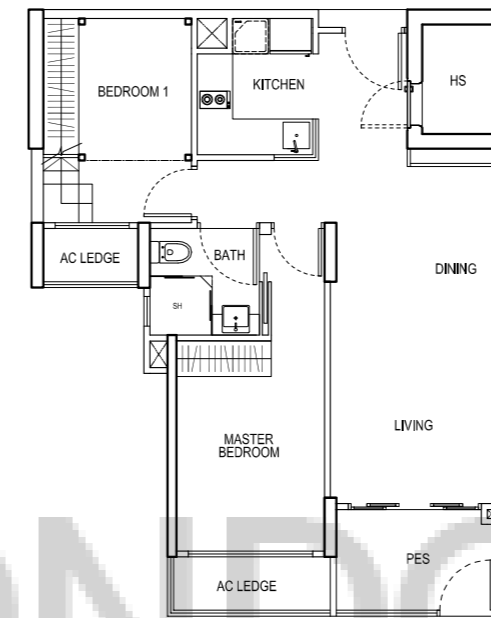
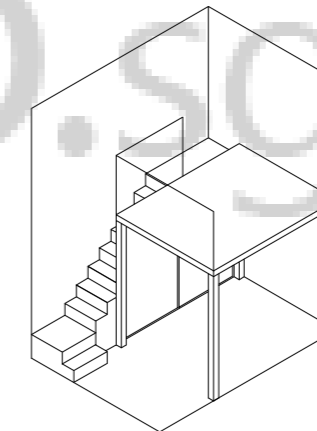


TYPE A1 - P

2 Bedroom + PES
67 sqm / 721 sqft
#01-03
#01-16



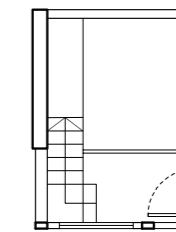
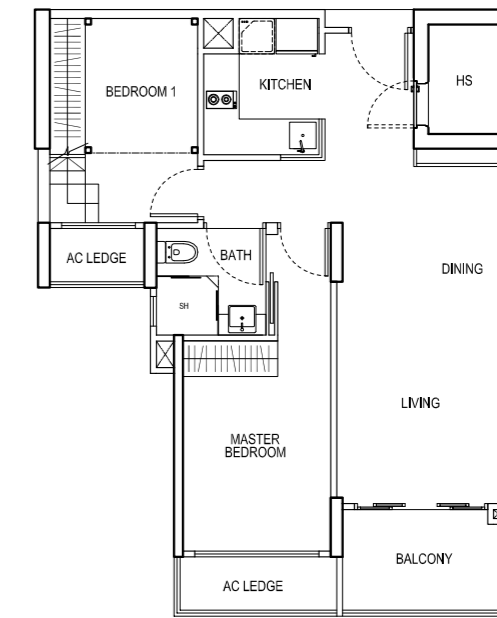
UPPER PLATFORM



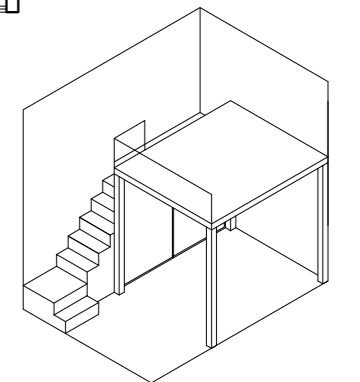
AXONOMETRIC

TYPE A1

2 Bedroom
67 sqm / 721 sqft
#02-03 #02-16
#03-03 #03-16
#04-03 #04-16
#05-03 #05-16



UPPER PLATFORM



AXONOMETRIC

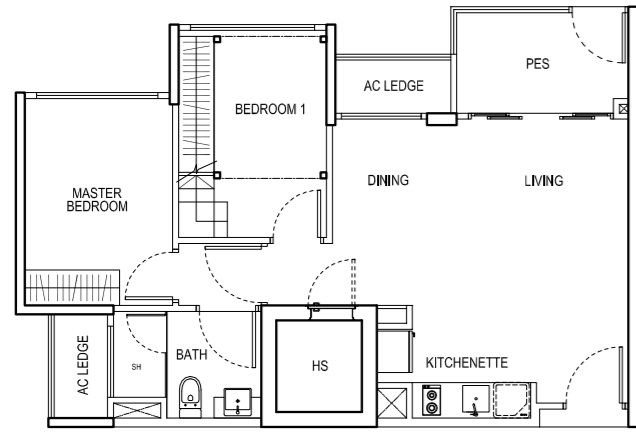
APARTMENT UNITS



The above plans and illustrations are subject to changes as may be approved by relevant authorities. Plans and illustrations are not drawn to scale. The balcony shall not be enclosed. Only approved balcony screen shall be used.

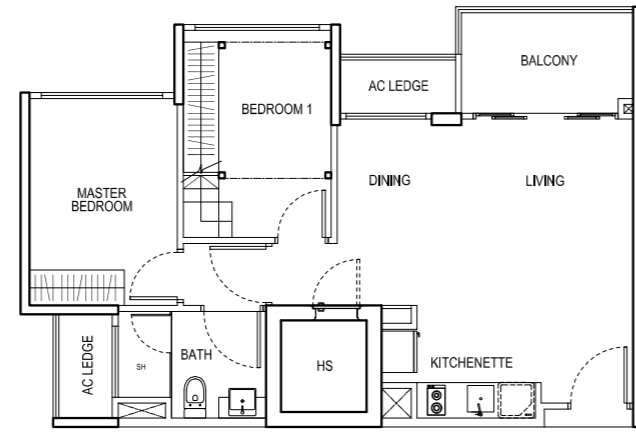
TYPE A2 - P

2 Bedroom + PES
65 sqm / 700 sqft
#01-13



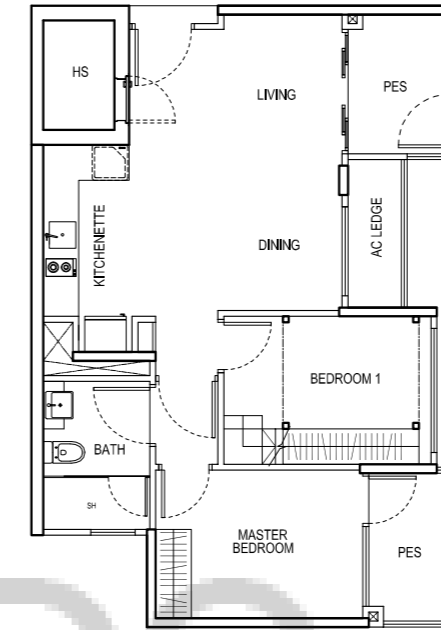
TYPE A2

2 Bedroom
65 sqm / 700 sqft
#02-13
#03-13
#04-13
#05-13



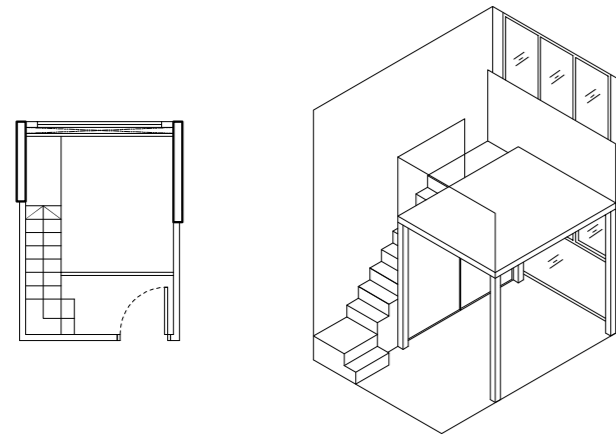
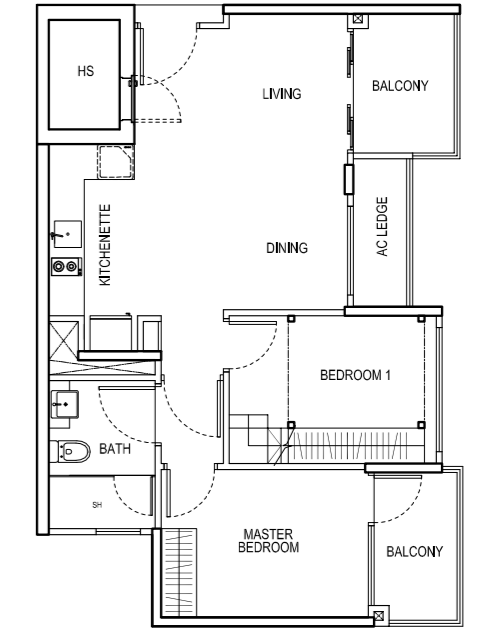
TYPE A3 - P

2 Bedroom + PES
66 sqm / 710 sqft
#01-33



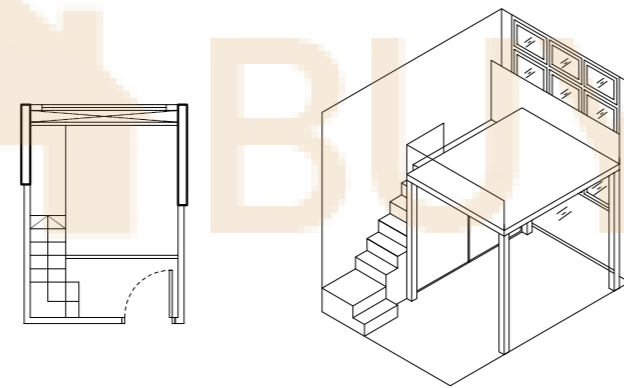
TYPE A3

2 Bedroom
66 sqm / 710 sqft
#02-33
#03-33
#04-33
#05-33



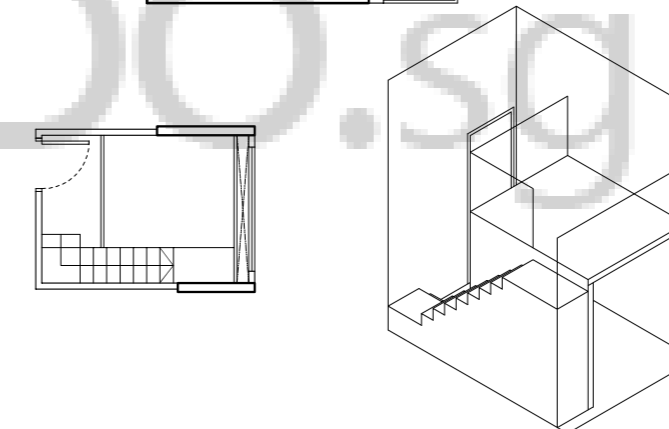
UPPER PLATFORM

AXONOMETRIC



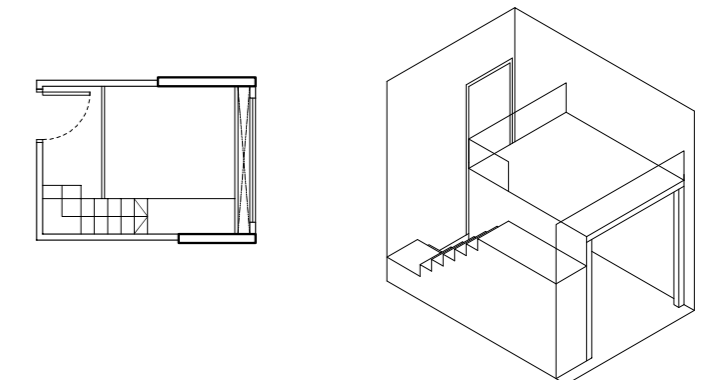
UPPER PLATFORM

AXONOMETRIC



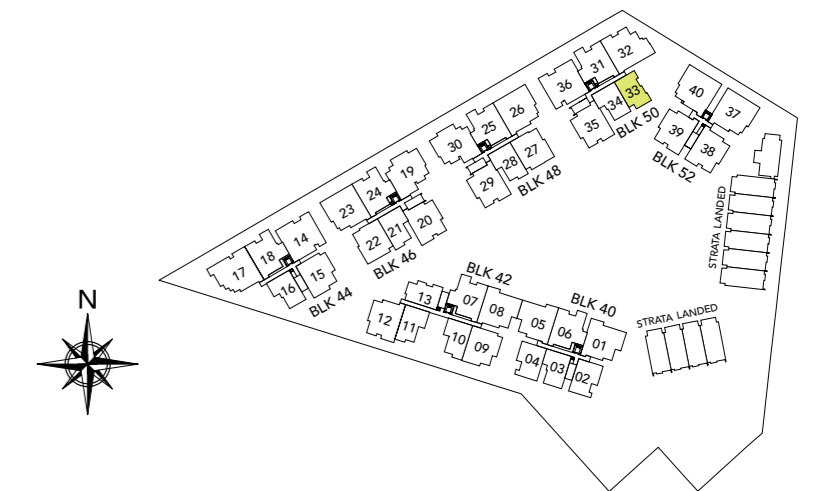
UPPER PLATFORM

AXONOMETRIC



UPPER PLATFORM

AXONOMETRIC

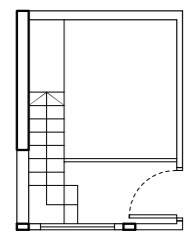
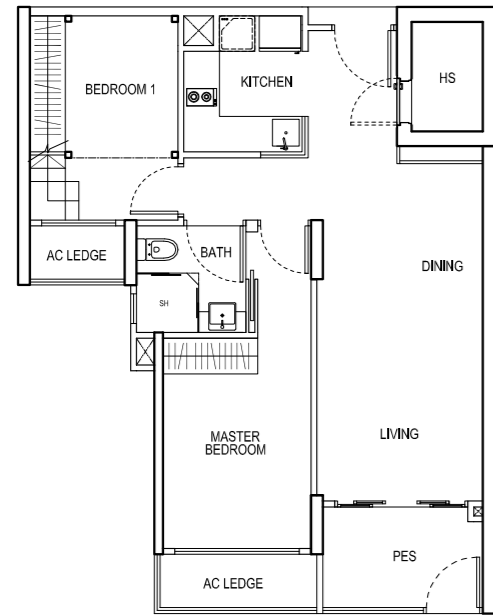


The above plans and illustrations are subject to changes as may be approved by relevant authorities. Plans and illustrations are not drawn to scale. The balcony shall not be enclosed. Only approved balcony screen shall be used.

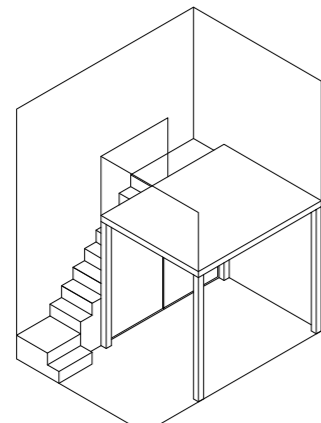
The above plans and illustrations are subject to changes as may be approved by relevant authorities. Plans and illustrations are not drawn to scale. The balcony shall not be enclosed. Only approved balcony screen shall be used.

TYPE A4 - P

2 Bedroom + PES
67 sqm / 721 sqft
#01-34



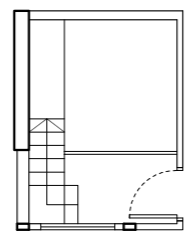
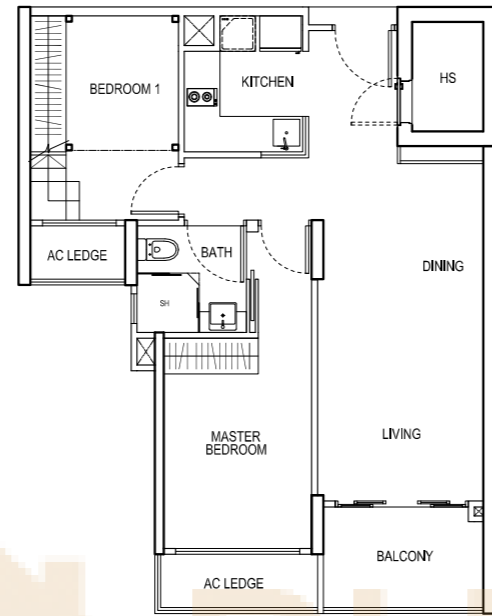
UPPER PLATFORM



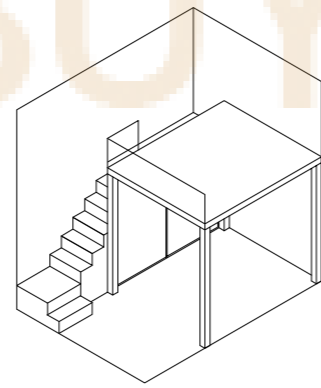
AXONOMETRIC

TYPE A4

2 Bedroom
67 sqm / 721 sqft
#02-34
#03-34
#04-34
#05-34



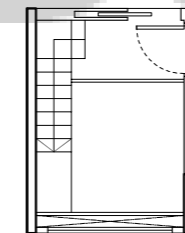
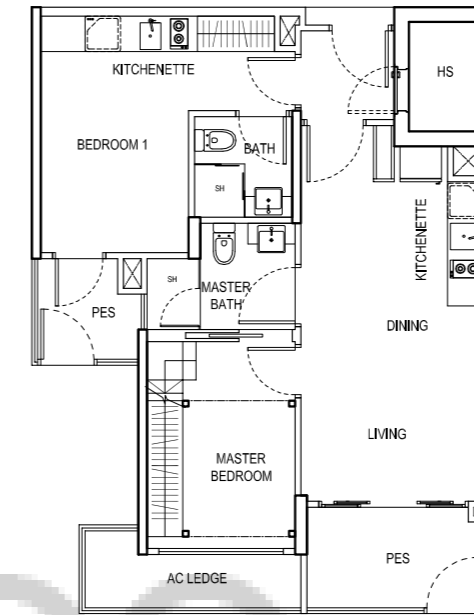
UPPER PLATFORM



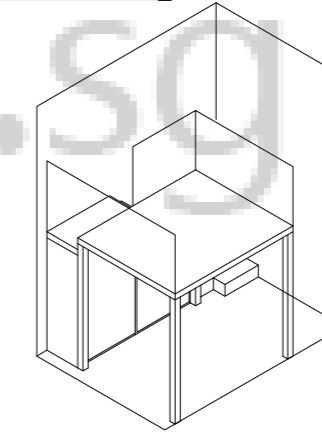
AXONOMETRIC

TYPE 2DK1 - P

2 Bedroom Dual Key + PES
71 sqm / 764 sqft
#01-04



UPPER PLATFORM

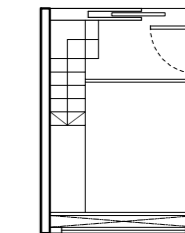
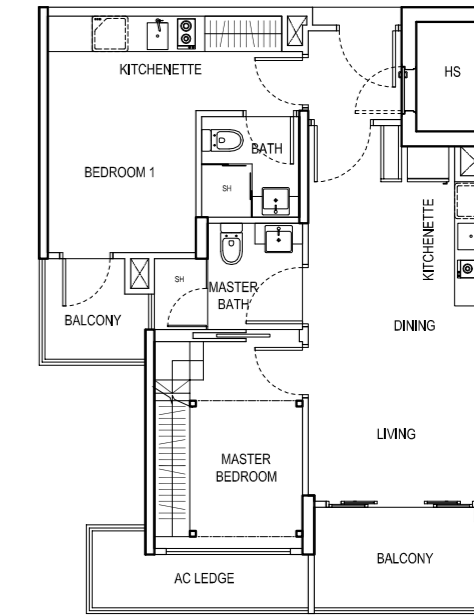


AXONOMETRIC

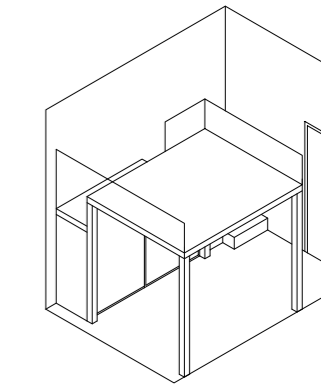
TYPE 2DK1

2 Bedroom Dual Key
71 sqm / 764 sqft
#02-02* #02-04
#03-02* #03-04
#04-02* #04-04
#05-02* #05-04

* Mirror Unit



UPPER PLATFORM



AXONOMETRIC



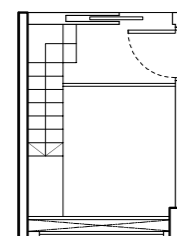
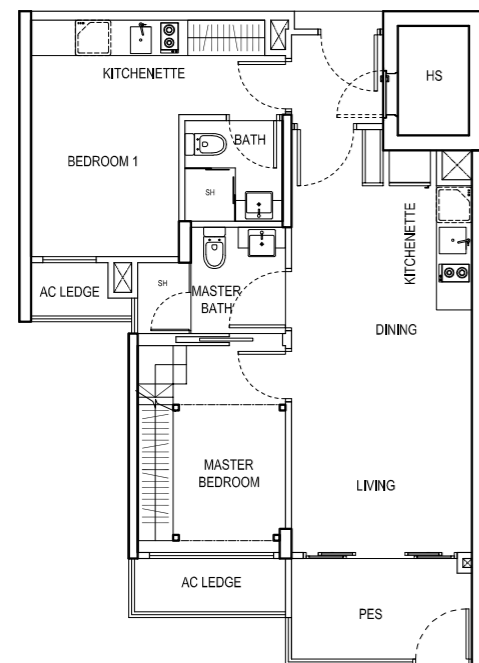
The above plans and illustrations are subject to changes as may be approved by relevant authorities. Plans and illustrations are not drawn to scale. The balcony shall not be enclosed. Only approved balcony screen shall be used.

The above plans and illustrations are subject to changes as may be approved by relevant authorities. Plans and illustrations are not drawn to scale. The balcony shall not be enclosed. Only approved balcony screen shall be used.

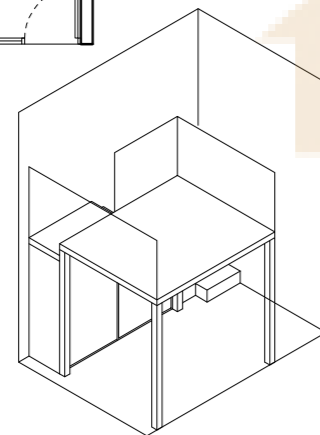
TYPE 2DK2 - P

2 Bedroom Dual Key + PES
70 sqm / 753 sqft
#01-10
#01-11*

* Mirror Unit



UPPER PLATFORM

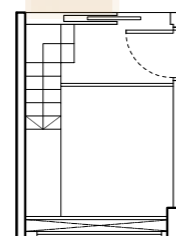
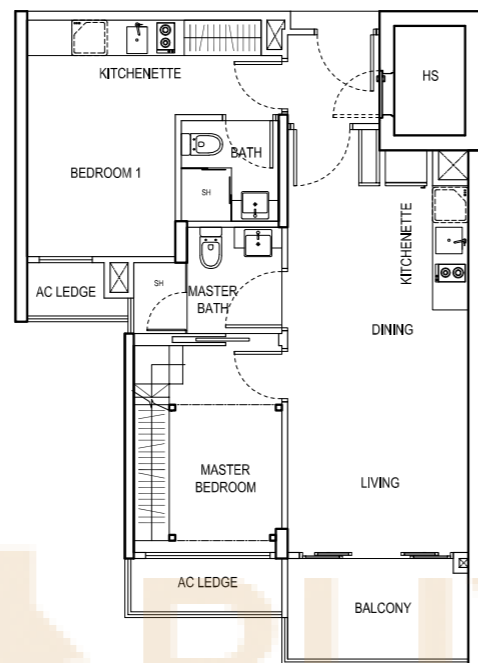


AXONOMETRIC

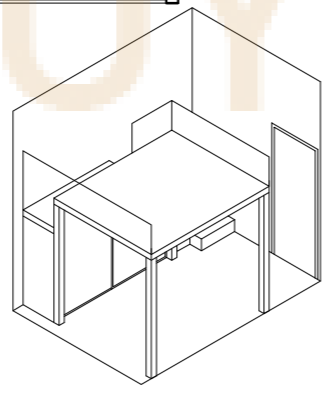
TYPE 2DK2

2 Bedroom Dual Key
70 sqm / 753 sqft
#02-10 #02-11*
#03-10 #03-11*
#04-10 #04-11*
#05-10 #05-11*

* Mirror Unit



UPPER PLATFORM



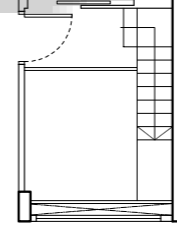
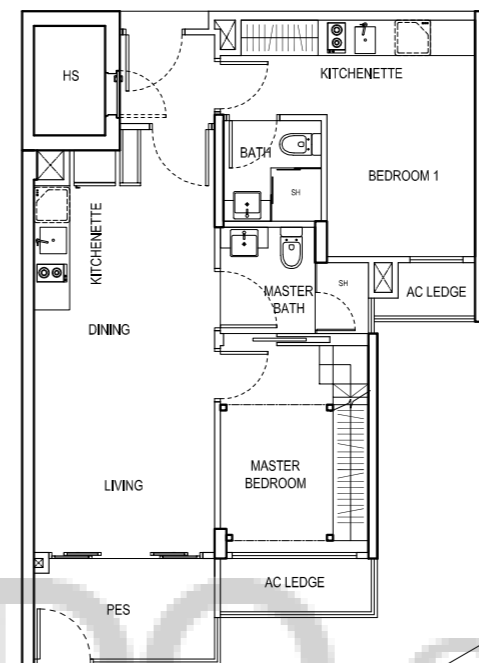
AXONOMETRIC



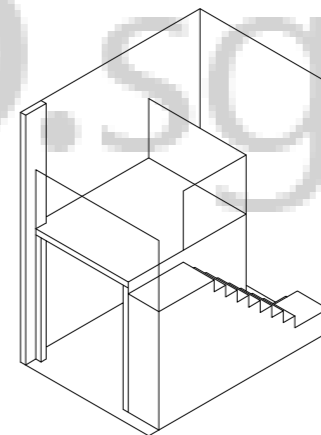
TYPE 2DK3 - P

2 Bedroom Dual Key + PES
70 sqm / 753 sqft
#01-21
#01-28*

* Mirror Unit



UPPER PLATFORM

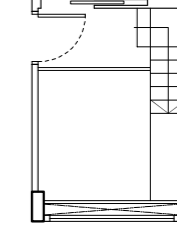
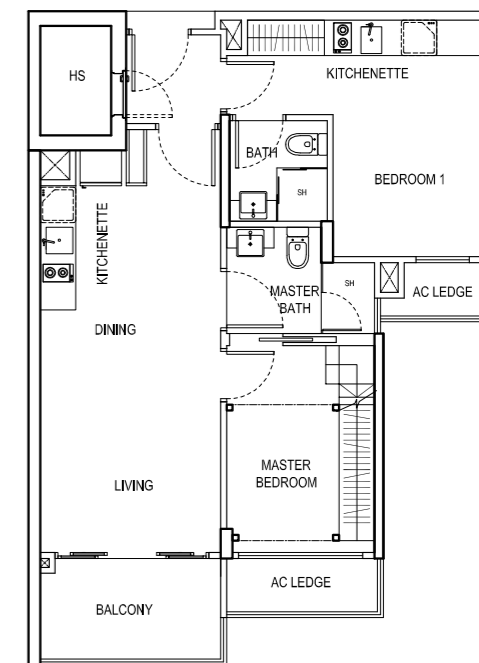


AXONOMETRIC

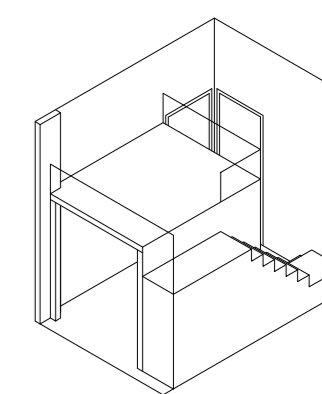
TYPE 2DK3

2 Bedroom Dual Key
70 sqm / 753 sqft
#02-21 #02-28*
#03-21 #03-28*
#04-21 #04-28*
#05-21 #05-28*

* Mirror Unit



UPPER PLATFORM



AXONOMETRIC

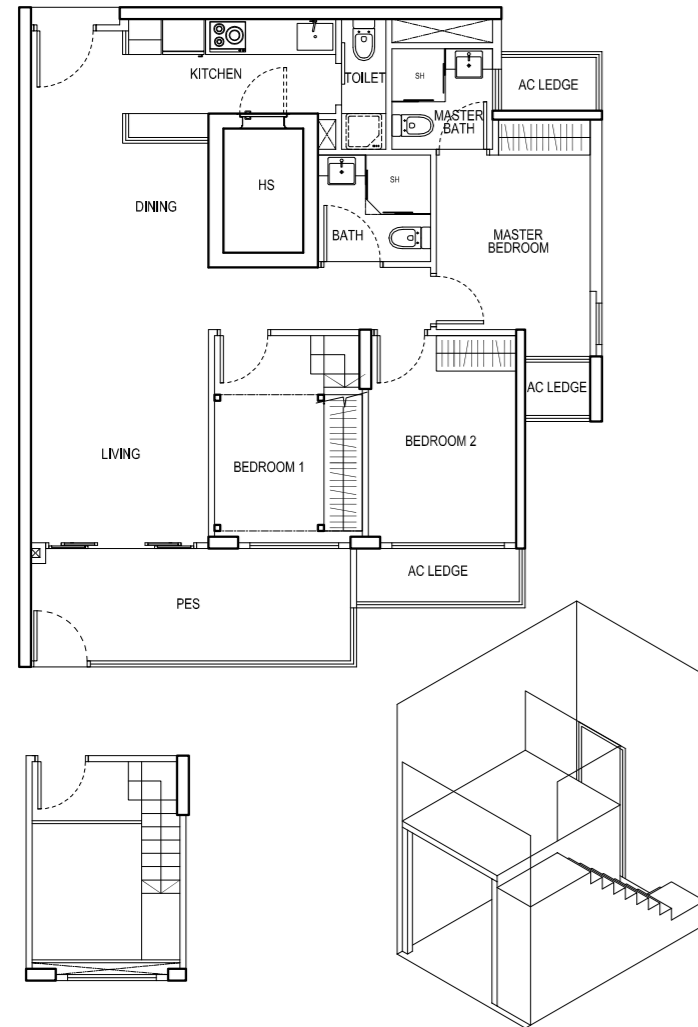


The above plans and illustrations are subject to changes as may be approved by relevant authorities. Plans and illustrations are not drawn to scale. The balcony shall not be enclosed. Only approved balcony screen shall be used.

The above plans and illustrations are subject to changes as may be approved by relevant authorities. Plans and illustrations are not drawn to scale. The balcony shall not be enclosed. Only approved balcony screen shall be used.

TYPE B1 - P

3 Bedroom + PES
96 sqm / 1033 sqft
#01-09
#01-15

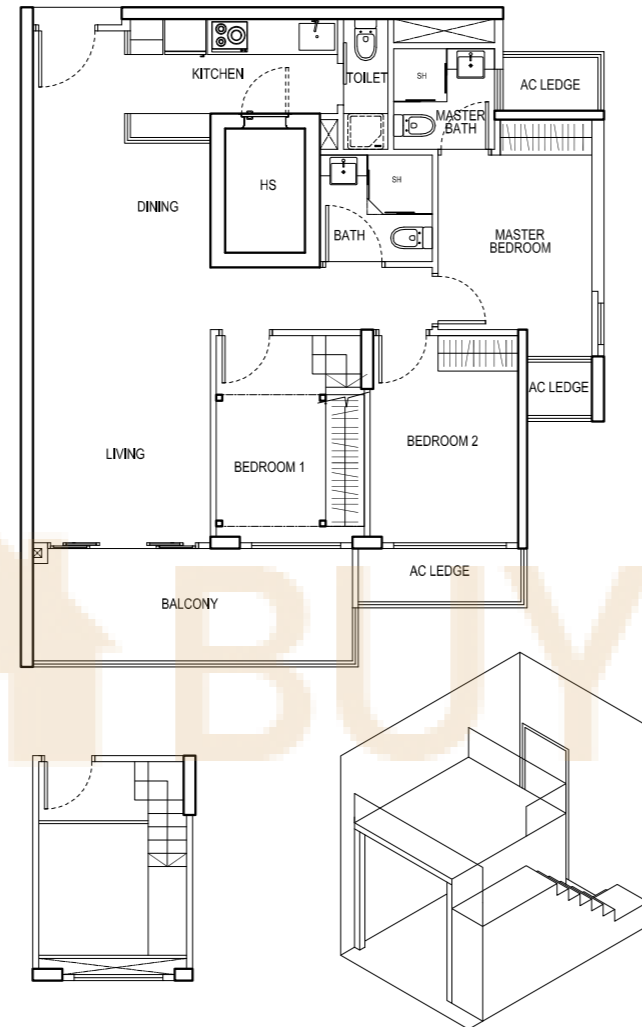


UPPER PLATFORM

AXONOMETRIC

TYPE B1

3 Bedroom
96 sqm / 1033 sqft
#02-09 #02-15
#03-09 #03-15
#04-09 #04-15
#05-09 #05-15



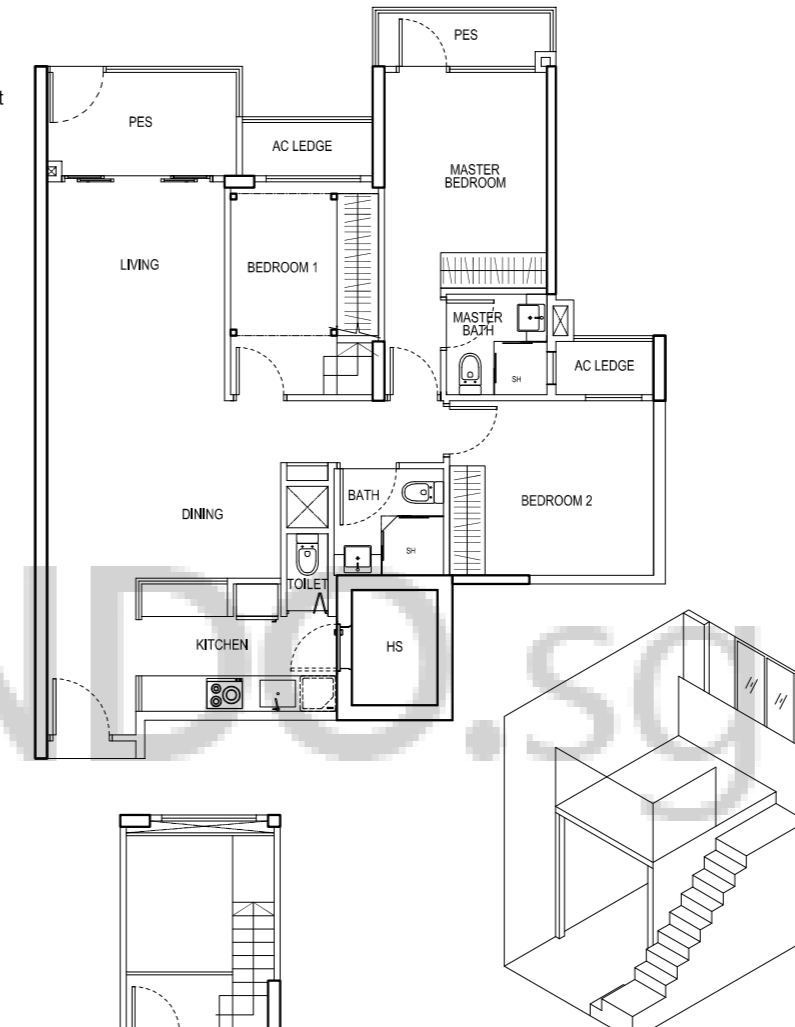
UPPER PLATFORM

AXONOMETRIC

TYPE B2 - P

3 Bedroom Deluxe + PES
99 sqm / 1066 sqft
#01-06
#01-07*
#01-18
#01-24
#01-25*
#01-31*

* Mirror Unit



UPPER PLATFORM

AXONOMETRIC

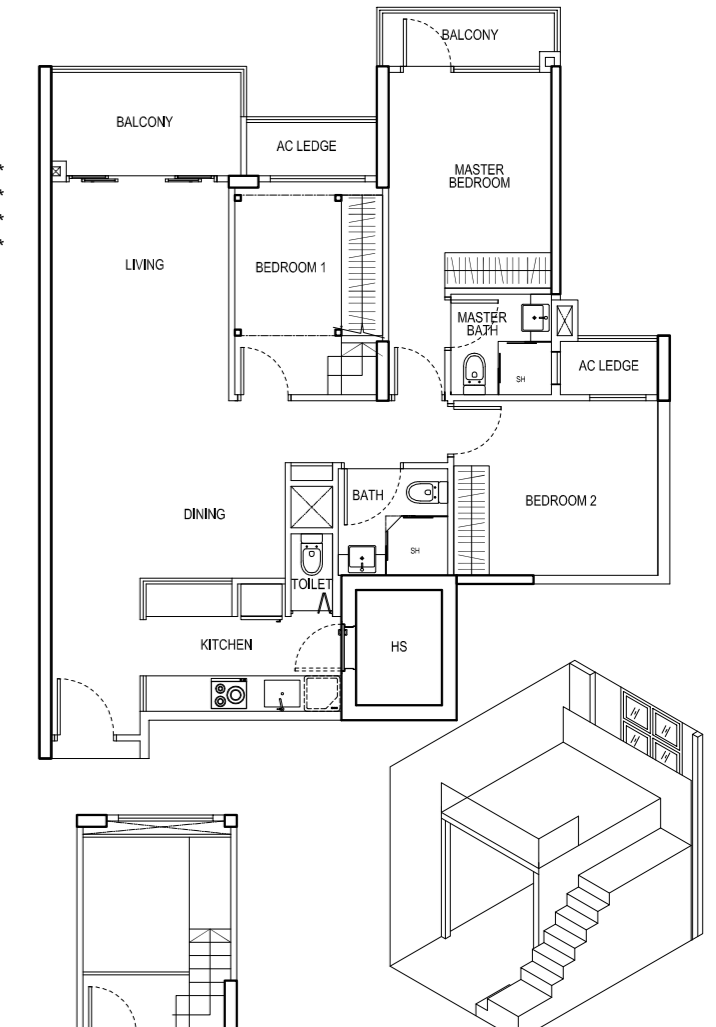
TYPE B2

3 Bedroom Deluxe
99 sqm / 1066 sqft
#02-06 #02-07*
#03-06 #03-07*
#04-06 #04-07*
#05-06 #05-07*

#02-18 #02-24
#03-18 #03-24
#04-18 #04-24
#05-18 #05-24

#02-25* #02-31*
#03-25* #03-31*
#04-25* #04-31*
#05-25* #05-31*

* Mirror Unit



UPPER PLATFORM

AXONOMETRIC



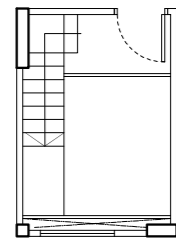
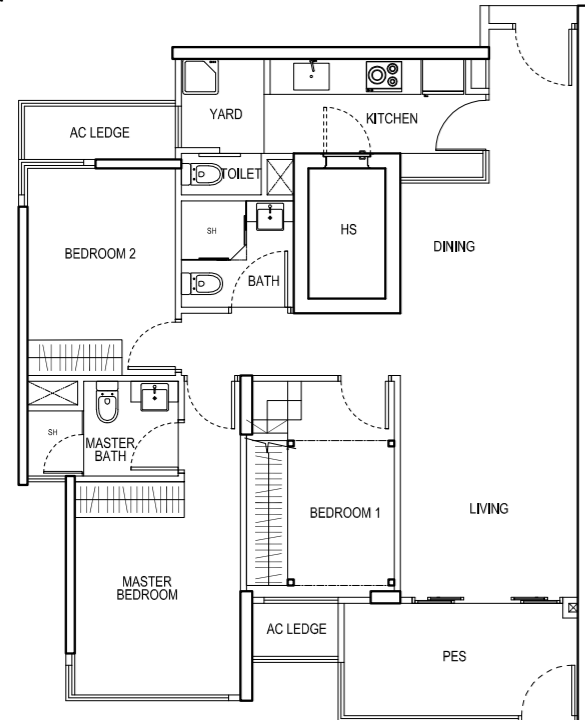
The above plans and illustrations are subject to changes as may be approved by relevant authorities. Plans and illustrations are not drawn to scale. The balcony shall not be enclosed. Only approved balcony screen shall be used.

The above plans and illustrations are subject to changes as may be approved by relevant authorities. Plans and illustrations are not drawn to scale. The balcony shall not be enclosed. Only approved balcony screen shall be used.

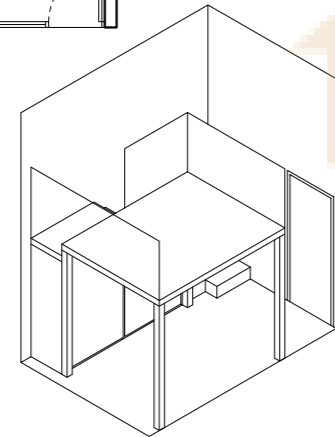
TYPE B3 - P

3 Bedroom Deluxe + PES
 99 sqm / 1066 sqft
 #01-12
 #01-38*
 #01-39

* Mirror Unit



UPPER PLATFORM



AXONOMETRIC

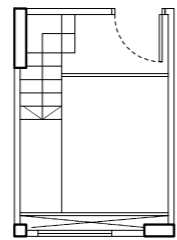
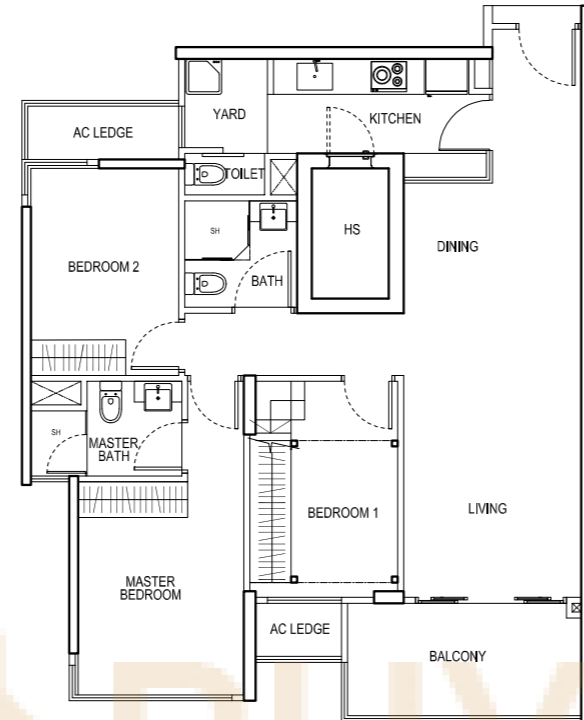
TYPE B3

3 Bedroom Deluxe
 99 sqm / 1066 sqft
 #02-12 #02-20*
 #03-12 #03-20*
 #04-12 #04-20*
 #05-12 #05-20*

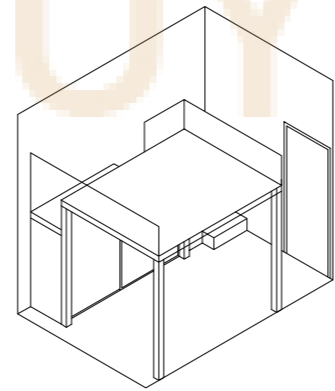
#02-29 #02-35
 #03-29 #03-35
 #04-29 #04-35
 #05-29 #05-35

#02-38* #02-39
 #03-38* #03-39
 #04-38* #04-39
 #05-38* #05-39

* Mirror Unit



UPPER PLATFORM



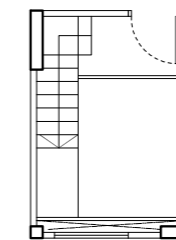
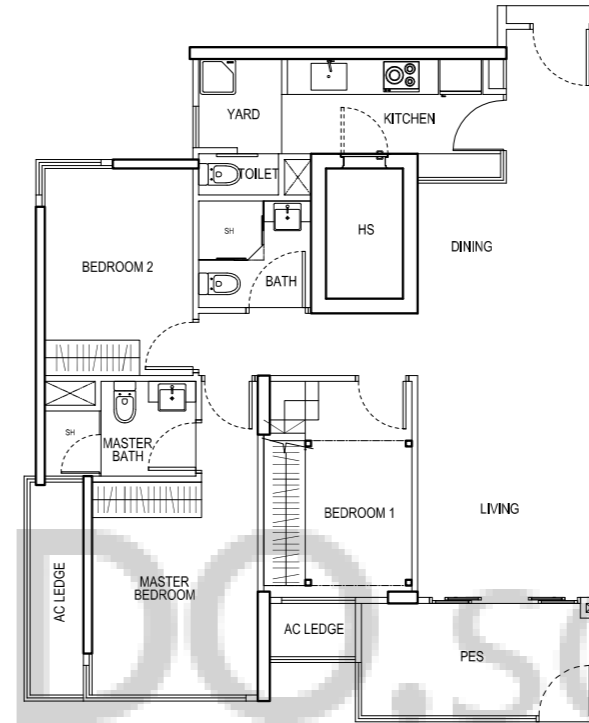
AXONOMETRIC



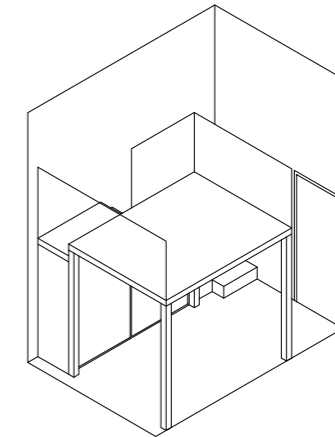
TYPE B4 - P

3 Bedroom Deluxe + PES
 100 sqm / 1076 sqft
 #01-20*
 #01-29
 #01-35

* Mirror Unit



UPPER PLATFORM



AXONOMETRIC

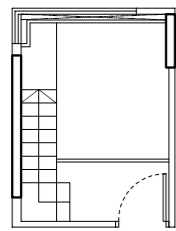
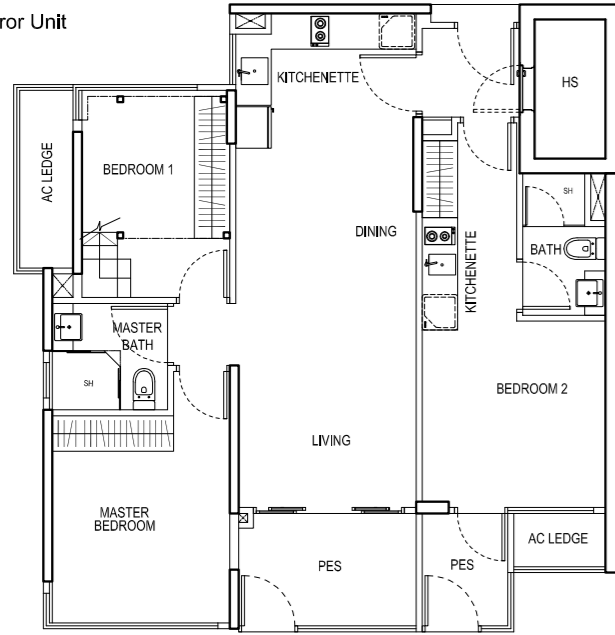


The above plans and illustrations are subject to changes as may be approved by relevant authorities. Plans and illustrations are not drawn to scale. The balcony shall not be enclosed. Only approved balcony screen shall be used.

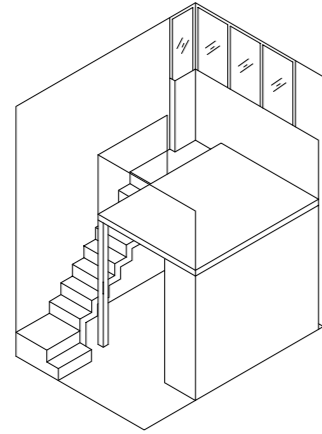
The above plans and illustrations are subject to changes as may be approved by relevant authorities. Plans and illustrations are not drawn to scale. The balcony shall not be enclosed. Only approved balcony screen shall be used.

TYPE 3DK - P
 3 Bedroom Dual Key + PES
 95 sqm / 1023 sqft
 #01-22
 #01-27*

* Mirror Unit



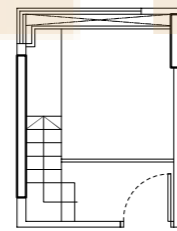
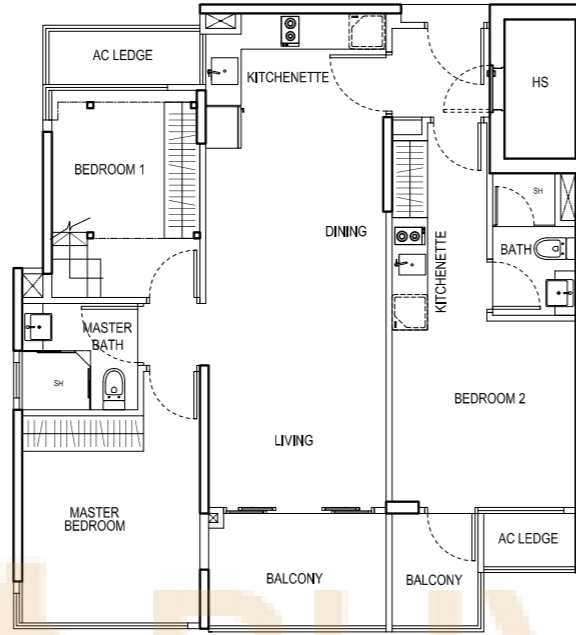
UPPER PLATFORM



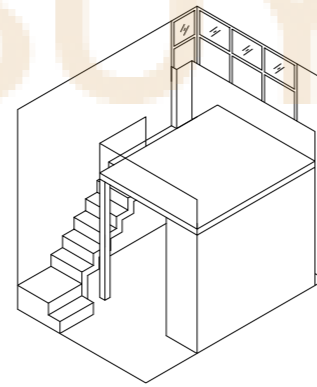
AXONOMETRIC

TYPE 3DK
 3 Bedroom Dual Key
 95 sqm / 1023 sqft
 #02-22 #02-27*
 #03-22 #03-27*
 #04-22 #04-27*
 #05-22 #05-27*

* Mirror Unit



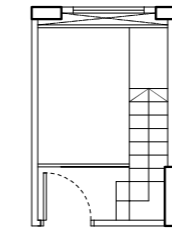
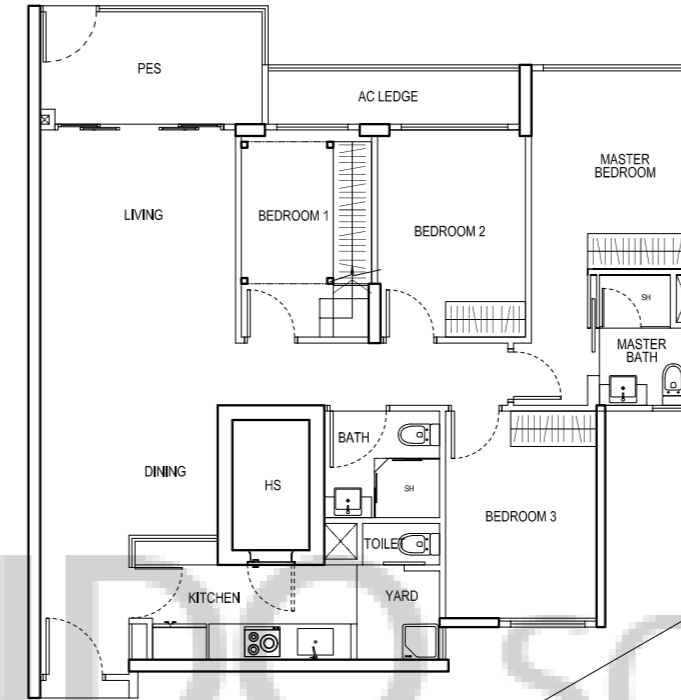
UPPER PLATFORM



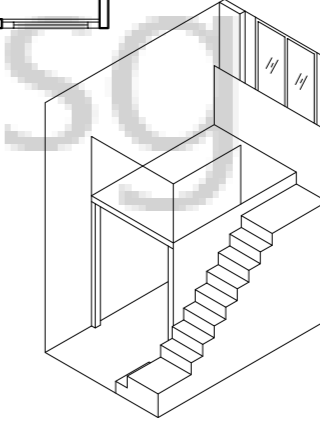
AXONOMETRIC

TYPE C1 - P
 4 Bedroom + PES
 109 sqm / 1173 sqft
 #01-01
 #01-05*
 #01-08

* Mirror Unit



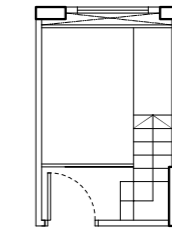
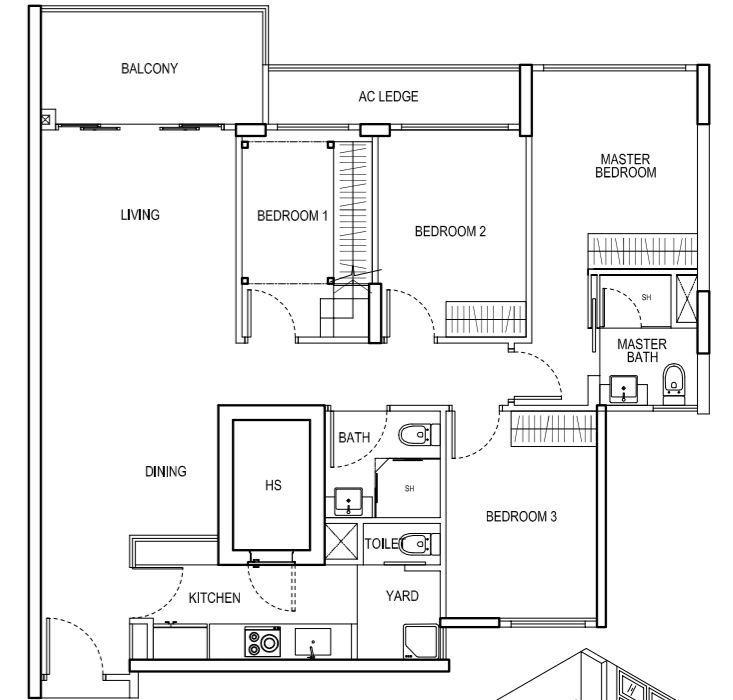
UPPER PLATFORM



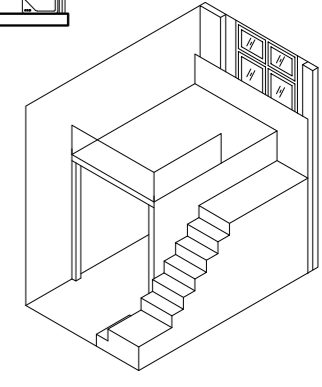
AXONOMETRIC

TYPE C1
 4 Bedroom
 109 sqm / 1173 sqft
 #02-01 #02-05*
 #03-01 #03-05*
 #04-01 #04-05*
 #05-01 #05-05*

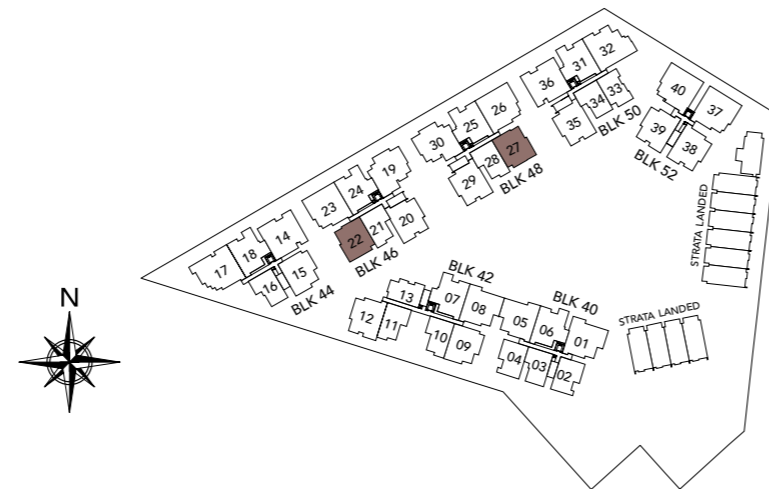
* Mirror Unit



UPPER PLATFORM



AXONOMETRIC



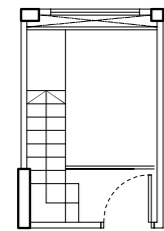
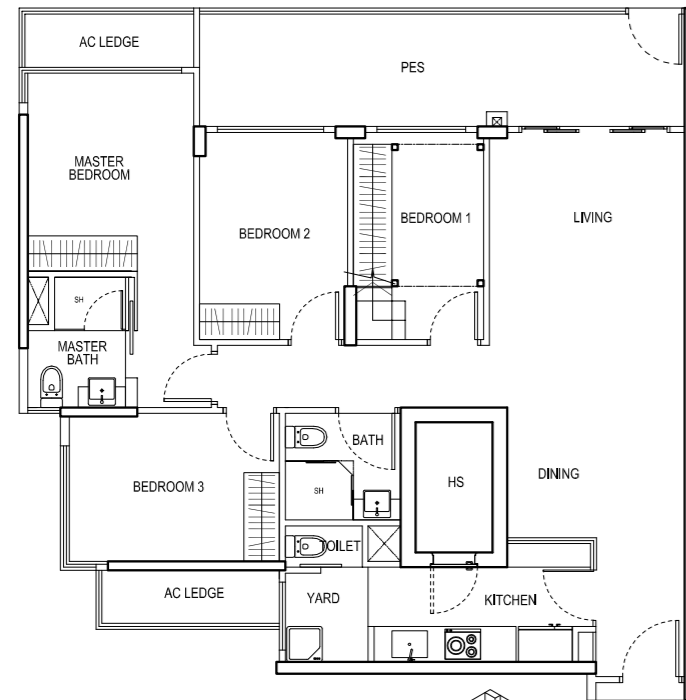
The above plans and illustrations are subject to changes as may be approved by relevant authorities. Plans and illustrations are not drawn to scale. The balcony shall not be enclosed. Only approved balcony screen shall be used.

The above plans and illustrations are subject to changes as may be approved by relevant authorities. Plans and illustrations are not drawn to scale. The balcony shall not be enclosed. Only approved balcony screen shall be used.

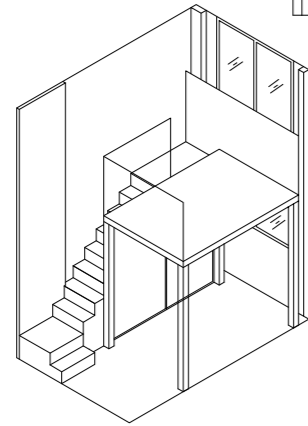
TYPE C2 - P

4 Bedroom + PES
119 sqm / 1281 sqft
#01-23
#01-26*

* Mirror Unit



UPPER PLATFORM

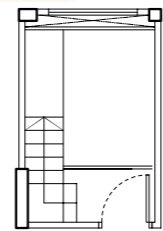
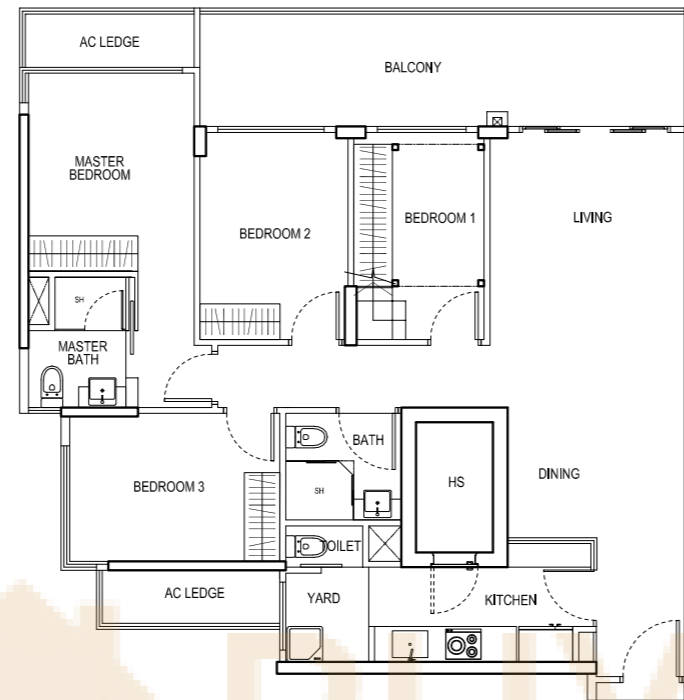


AXONOMETRIC

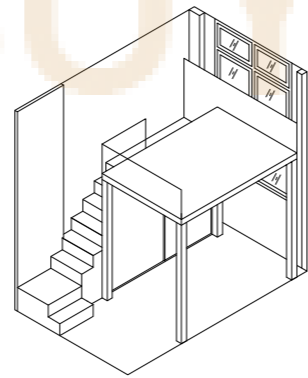
TYPE C2

4 Bedroom
119 sqm / 1281 sqft
#02-23 #02-26*
#03-23 #03-26*
#04-23 #04-26*
#05-23 #05-26*

* Mirror Unit



UPPER PLATFORM

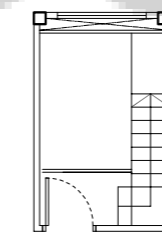
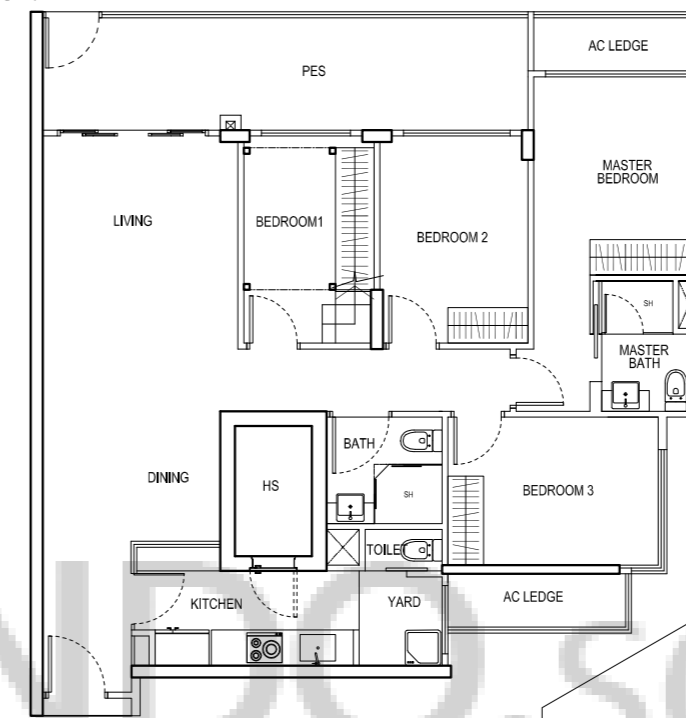


AXONOMETRIC

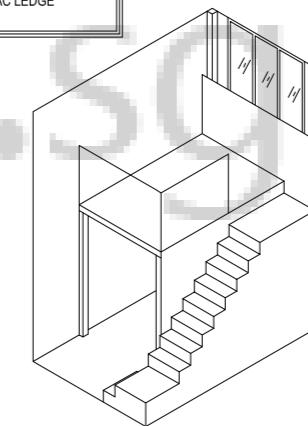
TYPE C3 - P

4 Bedroom + PES
120 sqm / 1292 sqft
#01-37
#01-40*

* Mirror Unit



UPPER PLATFORM

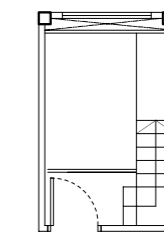
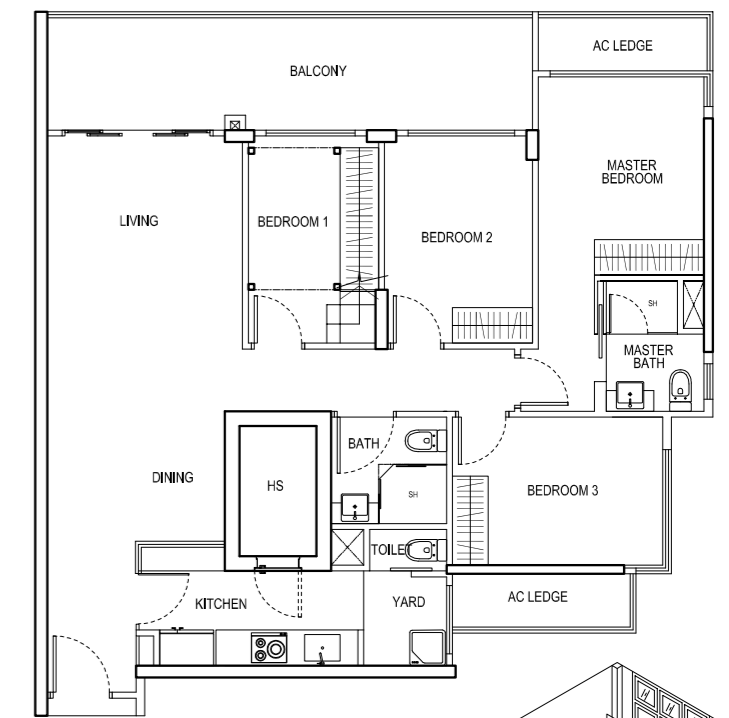


AXONOMETRIC

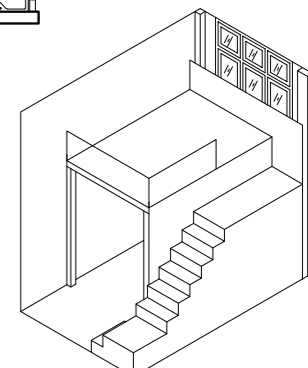
TYPE C3

4 Bedroom
120 sqm / 1292 sqft
#02-37 #02-40*
#03-37 #03-40*
#04-37 #04-40*
#05-37 #05-40*

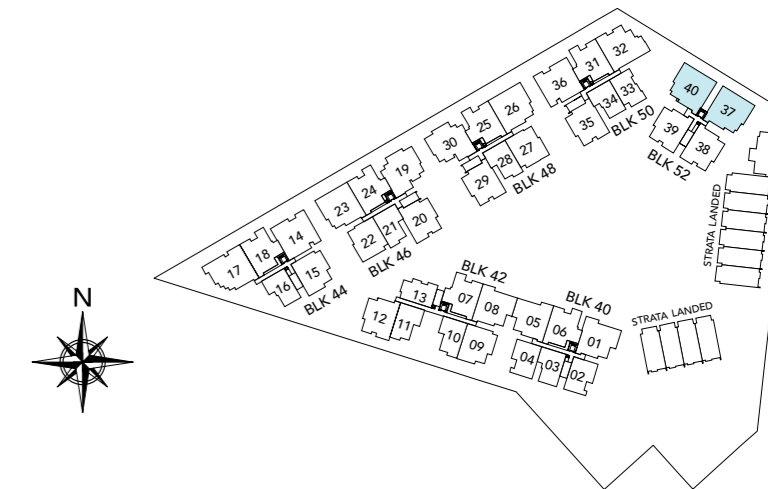
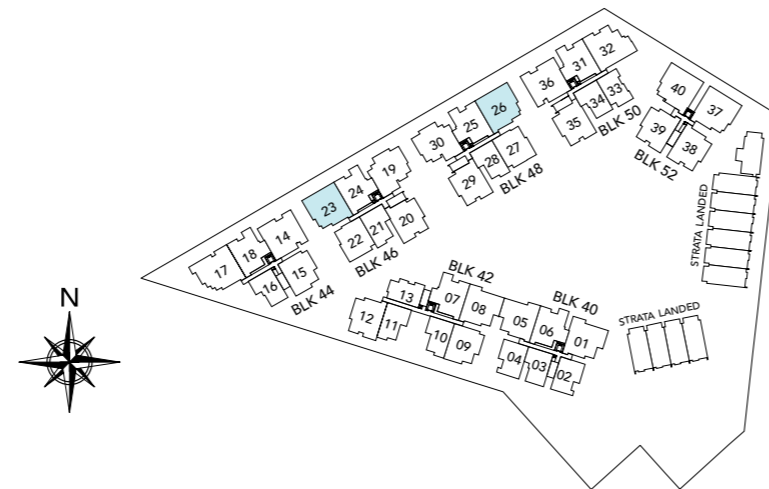
* Mirror Unit



UPPER PLATFORM



AXONOMETRIC



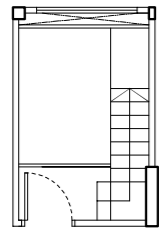
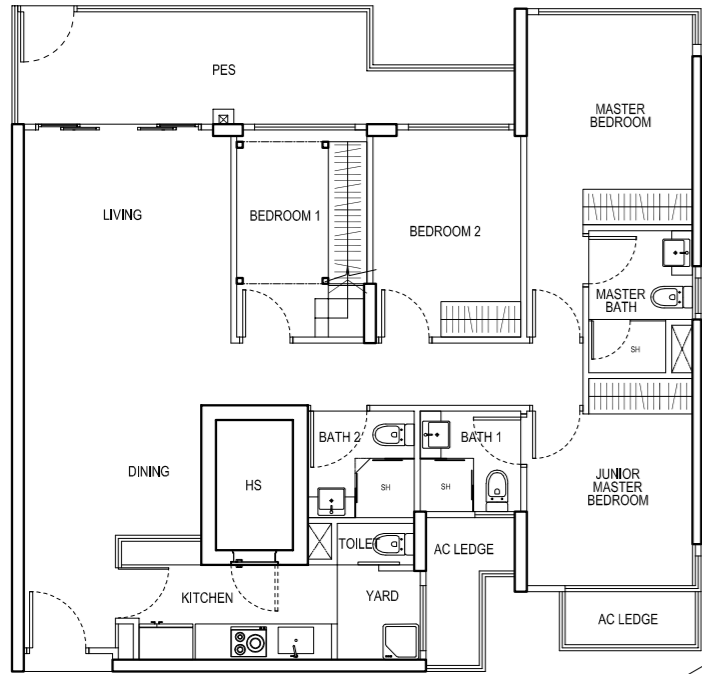
The above plans and illustrations are subject to changes as may be approved by relevant authorities. Plans and illustrations are not drawn to scale. The balcony shall not be enclosed. Only approved balcony screen shall be used.

The above plans and illustrations are subject to changes as may be approved by relevant authorities. Plans and illustrations are not drawn to scale. The balcony shall not be enclosed. Only approved balcony screen shall be used.

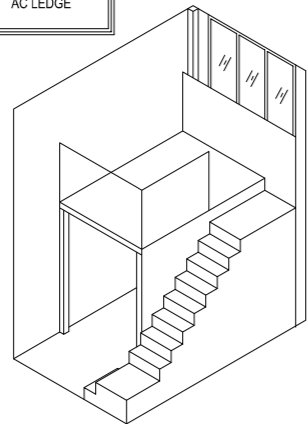
TYPE C4 - P

4 Bedroom Deluxe + PES
122 sqm / 1313 sqft
#01-14
#01-36*

* Mirror Unit



UPPER PLATFORM

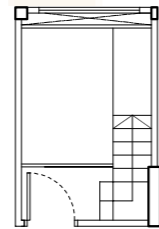
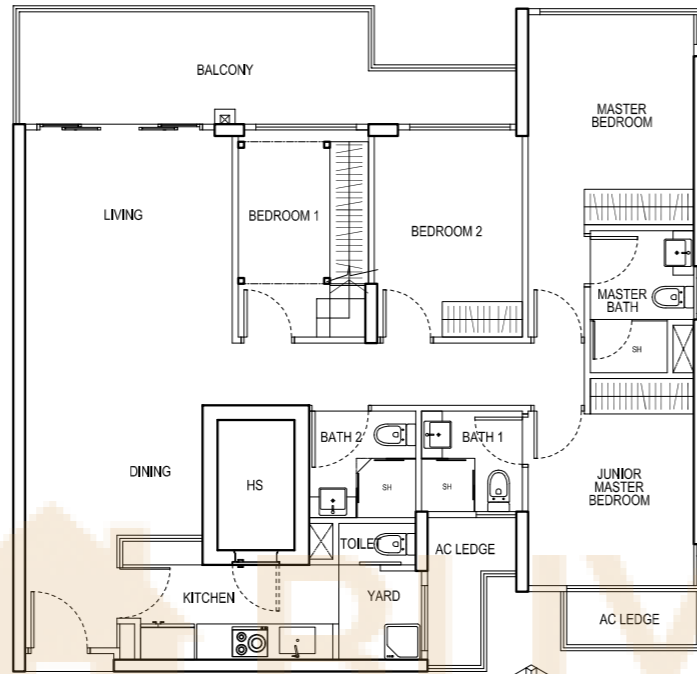


AXONOMETRIC

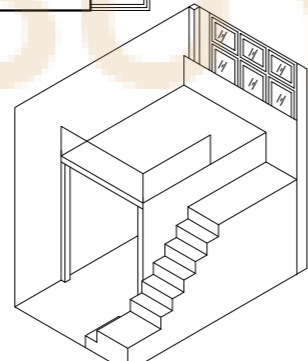
TYPE C4

4 Bedroom Deluxe
122 sqm / 1313 sqft
#02-14 #02-36*
#03-14 #03-36*
#04-14 #04-36*
#05-14 #05-36*

* Mirror Unit



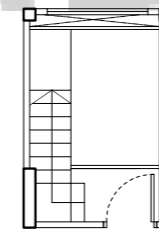
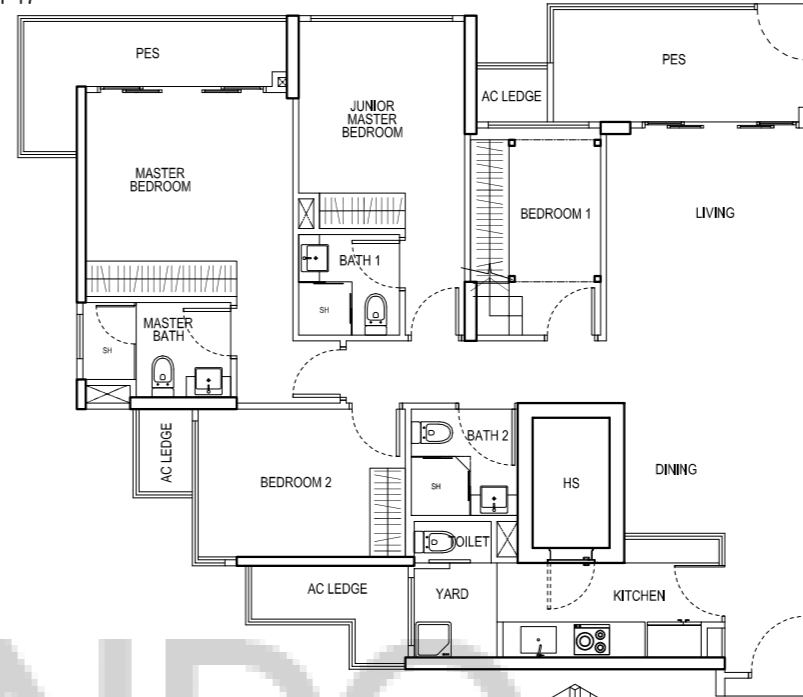
UPPER PLATFORM



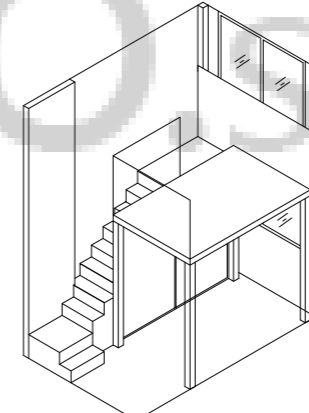
AXONOMETRIC

TYPE C5 - P

4 Bedroom Deluxe + PES
129 sqm / 1389 sqft
#01-17



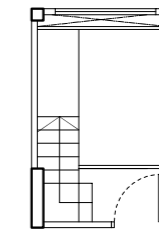
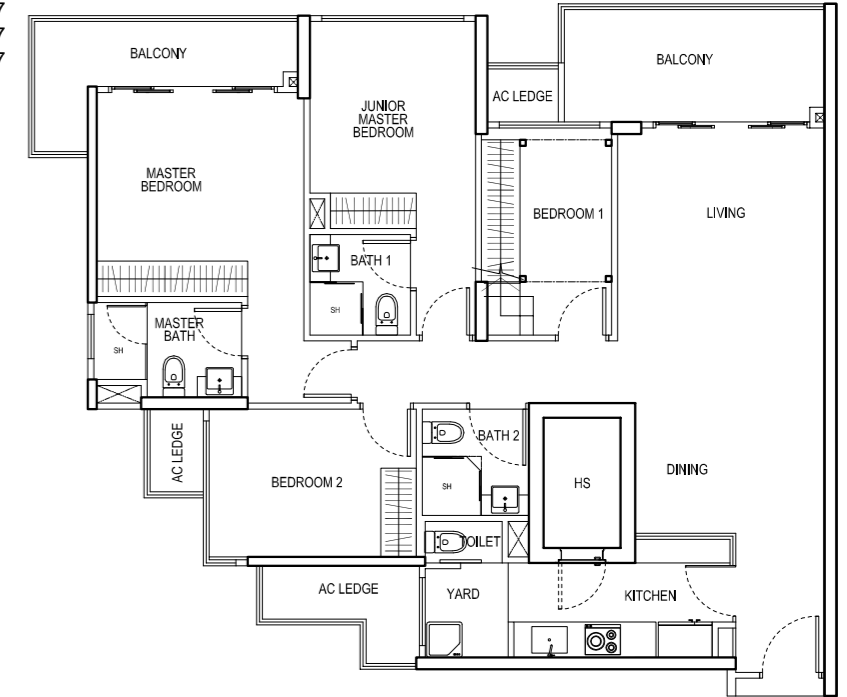
UPPER PLATFORM



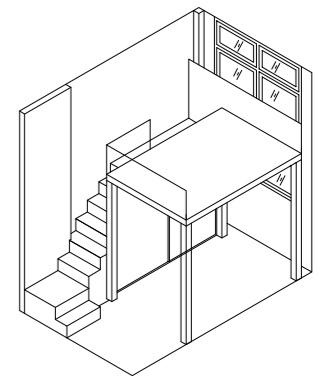
AXONOMETRIC

TYPE C5

4 Bedroom Deluxe
129 sqm / 1389 sqft
#02-17
#03-17
#04-17
#05-17



UPPER PLATFORM



AXONOMETRIC

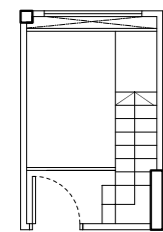
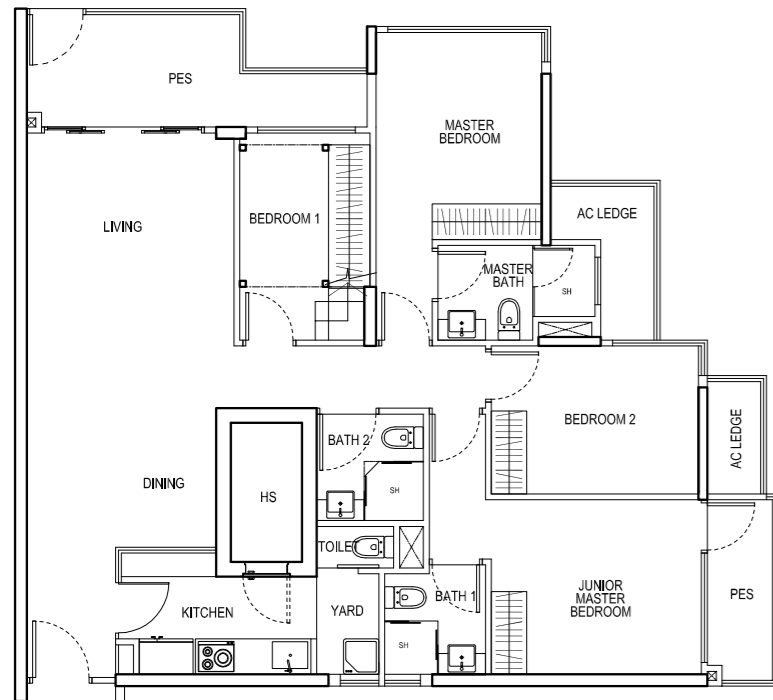


The above plans and illustrations are subject to changes as may be approved by relevant authorities. Plans and illustrations are not drawn to scale. The balcony shall not be enclosed. Only approved balcony screen shall be used.

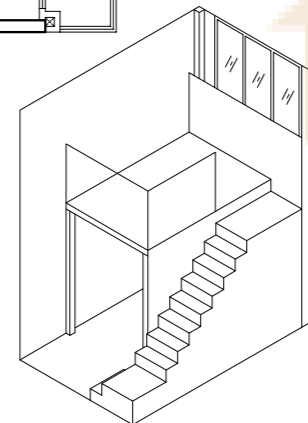
The above plans and illustrations are subject to changes as may be approved by relevant authorities. Plans and illustrations are not drawn to scale. The balcony shall not be enclosed. Only approved balcony screen shall be used.

TYPE C6 - P

4 Bedroom Deluxe + PES
123 sqm / 1324 sqft
#01-32



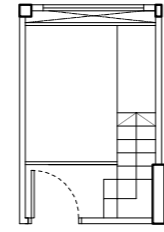
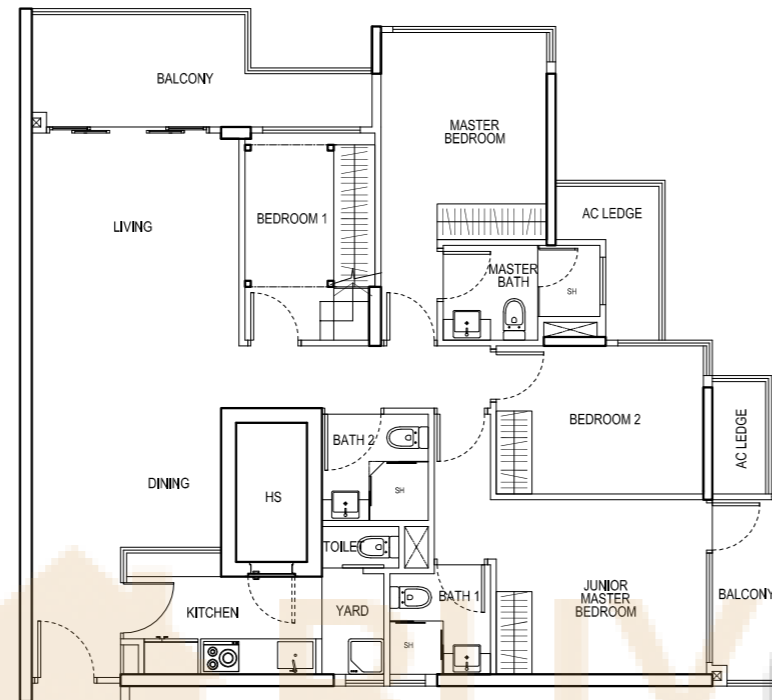
UPPER PLATFORM



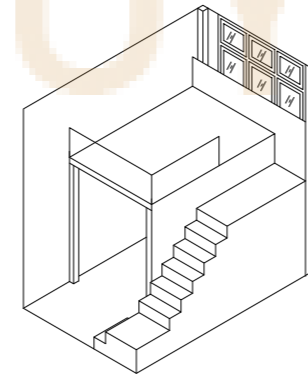
AXONOMETRIC

TYPE C6

4 Bedroom Deluxe
123 sqm / 1324 sqft
#02-32
#03-32
#04-32
#05-32



UPPER PLATFORM

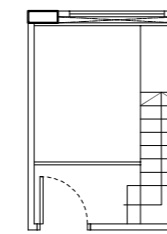
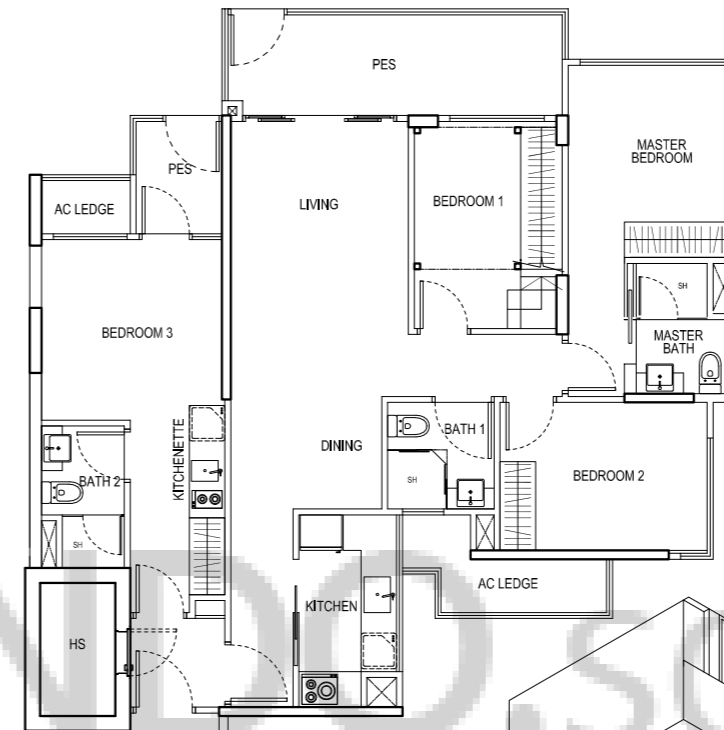


AXONOMETRIC

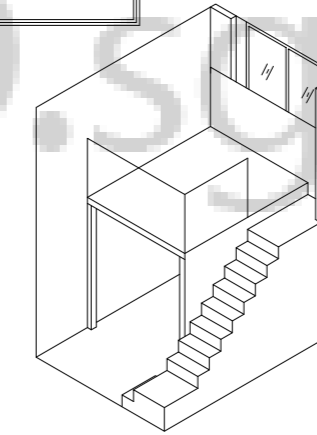
TYPE 4DK - P

4 Bedroom Dual Key + PES
117 sqm / 1259 sqft
#01-19
#01-30*

* Mirror Unit



UPPER PLATFORM

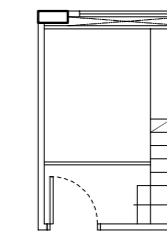
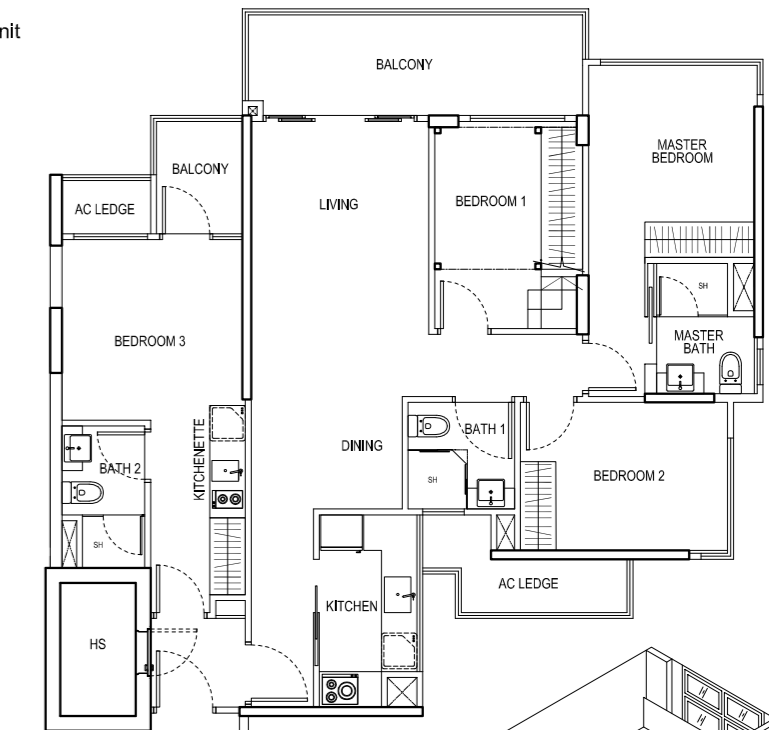


AXONOMETRIC

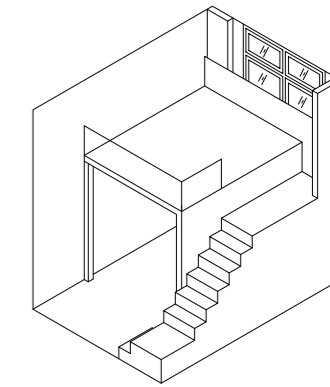
TYPE 4DK

4 Bedroom Dual Key
117 sqm / 1259 sqft
#02-19 #02-30*
#03-19 #03-30*
#04-19 #04-30*
#05-19 #05-30*

* Mirror Unit



UPPER PLATFORM



AXONOMETRIC



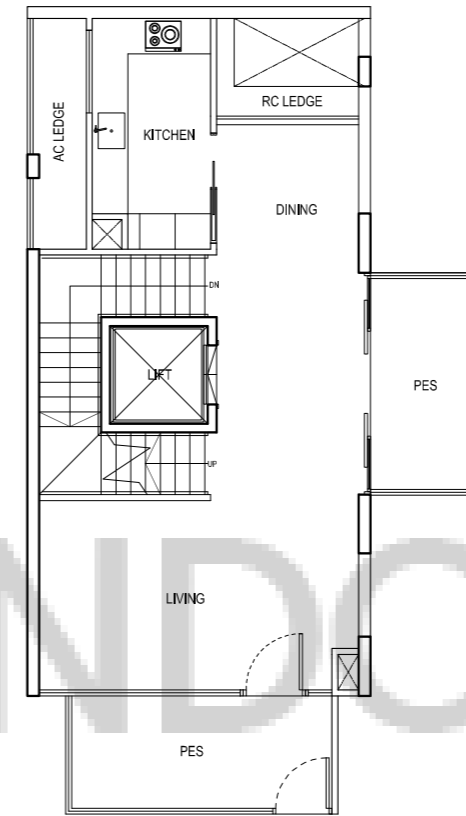
The above plans and illustrations are subject to changes as may be approved by relevant authorities. Plans and illustrations are not drawn to scale. The balcony shall not be enclosed. Only approved balcony screen shall be used.

The above plans and illustrations are subject to changes as may be approved by relevant authorities. Plans and illustrations are not drawn to scale. The balcony shall not be enclosed. Only approved balcony screen shall be used.

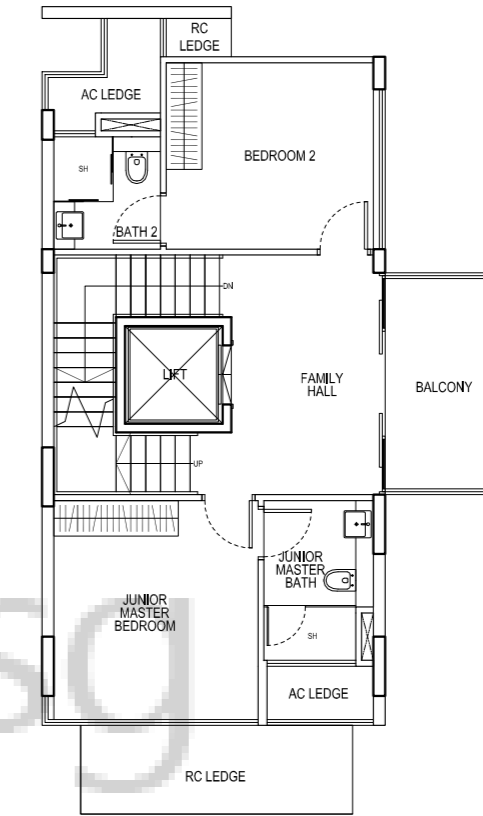
STRATA HOUSE 1

5 Bedroom Strata House
298 sqm / 3208 sqft
No. 18

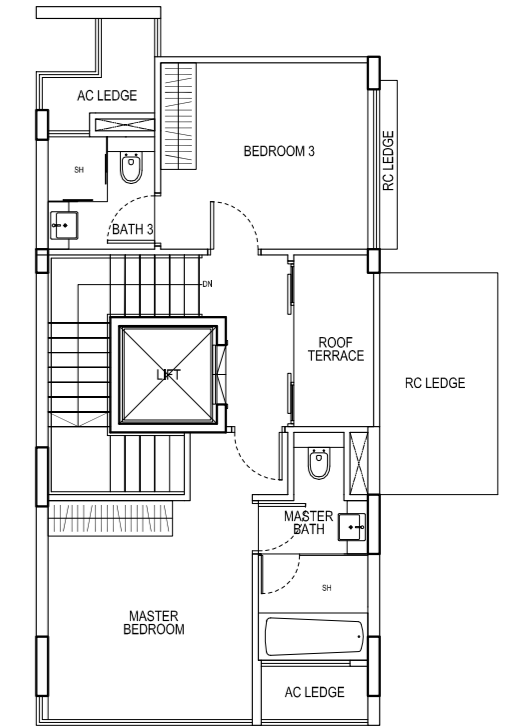
STRATA HOMES



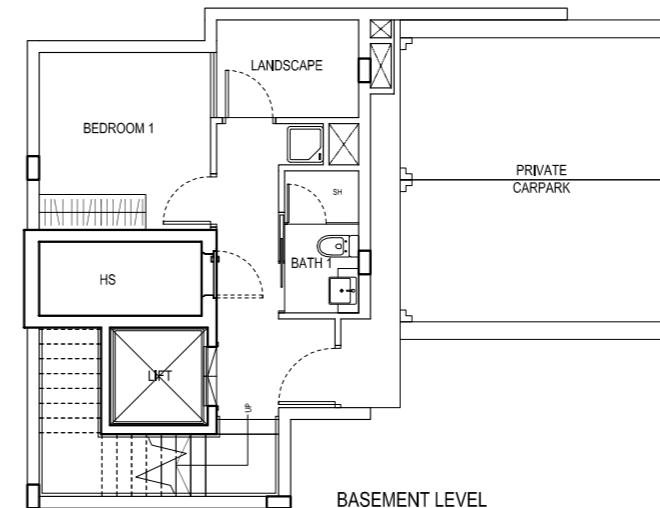
FIRST STOREY LEVEL



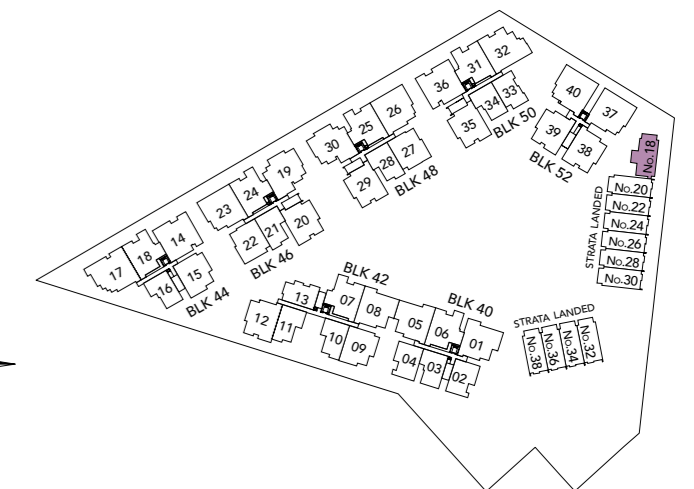
SECOND STOREY LEVEL



THIRD STOREY LEVEL



BASEMENT LEVEL

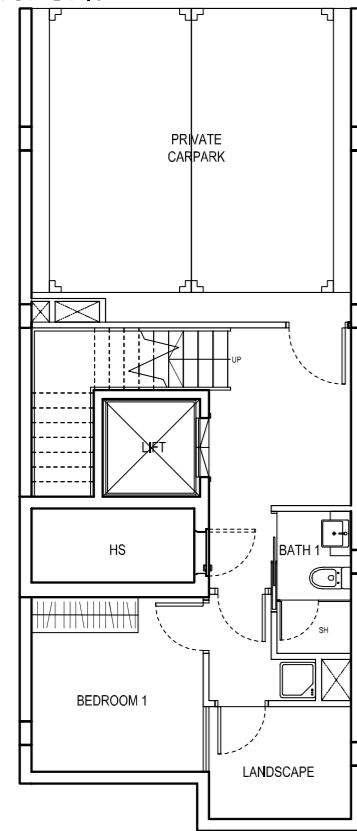


The above plans and illustrations are subject to changes as may be approved by relevant authorities. Plans and illustrations are not drawn to scale. The balcony shall not be enclosed. Only approved balcony screen shall be used.

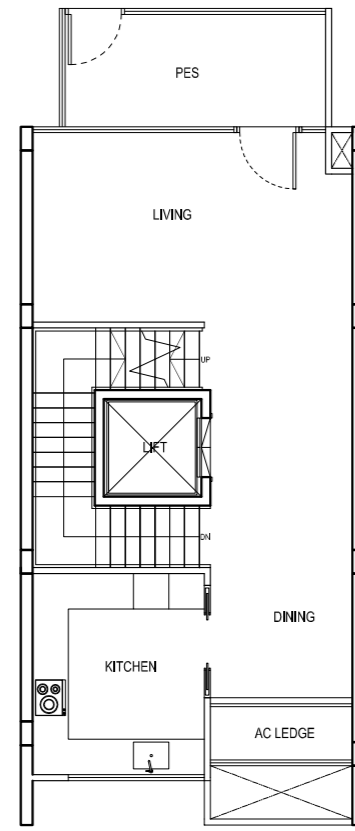
STRATA HOUSE 2

5 Bedroom Strata House
 274 sqm / 2949 sqft
 No. 20* No. 30*
 No. 22* No. 32
 No. 24* No. 34
 No. 26* No. 36
 No. 28* No. 38

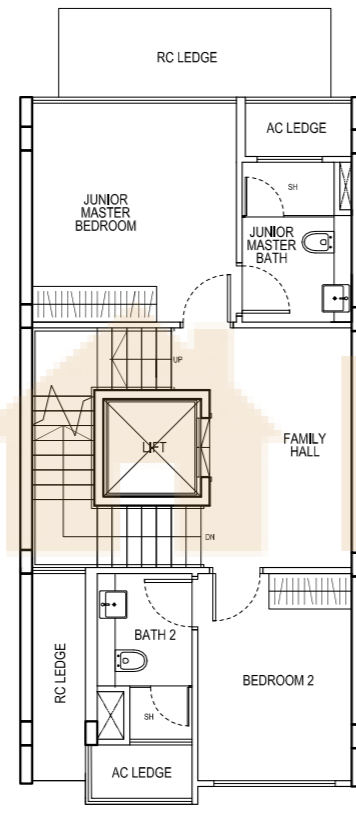
* Mirror Unit



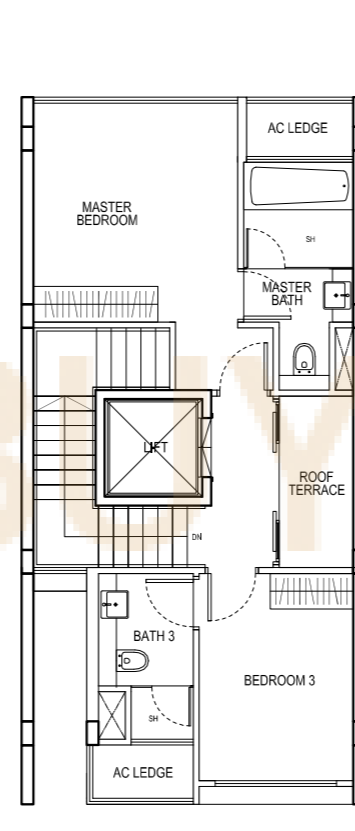
BASEMENT LEVEL



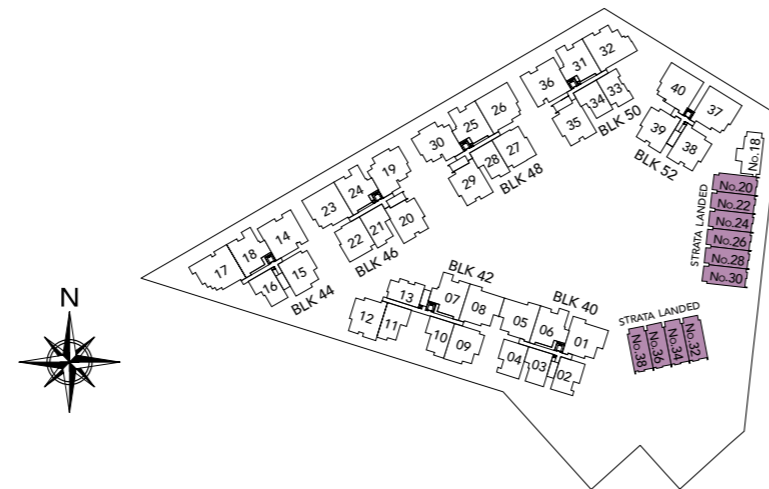
FIRST STOREY LEVEL



SECOND STOREY LEVEL



THIRD STOREY LEVEL



The above plans and illustrations are subject to changes as may be approved by relevant authorities.
 Plans and illustrations are not drawn to scale. The balcony shall not be enclosed. Only approved balcony screen shall be used.